



Pump Model - version

EUROINOX 30-50 M - N.2.- -

Attention: check the correspondence with the serial number of the pump.

Company Name
Reference
Phone
Fax
E-mail

Receiver

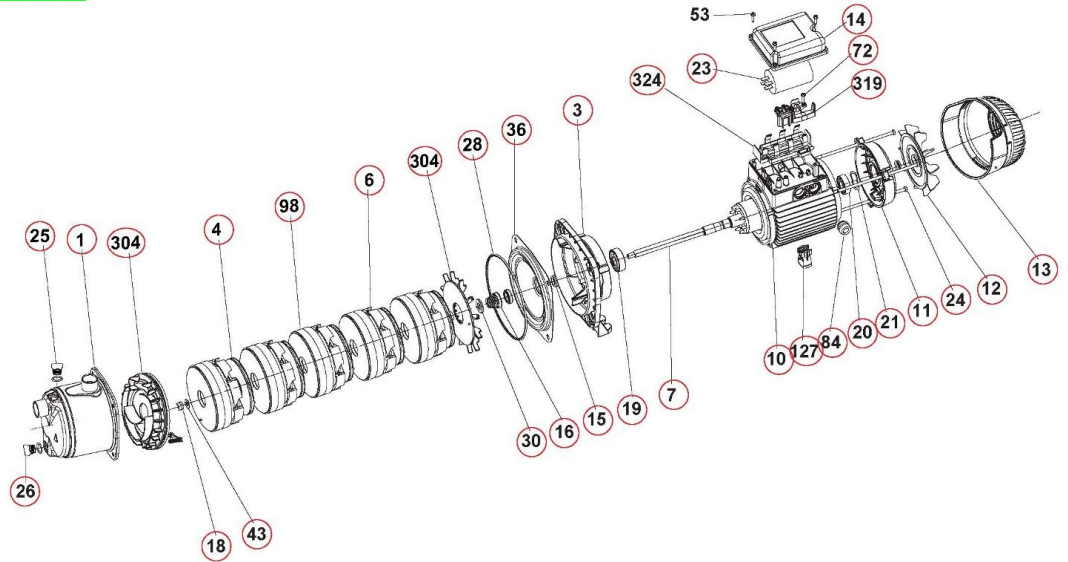
From

EUROINOX 30-50 M - N.2.- - @ 102970260_c

EUROINOX 30-50 M @ 102970260

Item	Q.ty	Item no.	Description	Unit pr.
1	1	148121100	PUMP BODY	On req.
3	1	161430050	MOTOR SUPPORT MEC 63	On req.
4	3	150761091	IMPELLER GFN2	On req.
6	3	162860480	DIFFUSER	On req.
7	1	145003200	SHAFT WITH ROTOR	On req.
10	1	130645580	MOTOR MEC63 H80 01 220/240/50	On req.
11	1	164030010	MEC63 D.35 MOTOR COVER	On req.
12	1	160760230	FAN MEC63	On req.
13	1	164260090	&FAN COVER MEC63	On req.
14	1	164060410	TERMINAL BOX COVER	On req.
15	1	002210558	V-RING D.13,5-15X5,5H	On req.
16	1	148620490	COMPLETE MECH.SEALD.15	On req.
18	1	002520633	HEX.NUT AUTOB.M8 INOX A4 UNI7474	On req.
19	1	002310102	6202-2RSH D.15X35X11 BEARING	On req.
20	1	002310102	6202-2RSH D.15X35X11 BEARING	On req.
21	1	002570001	LMKAS D.35B THRUST WASHER	On req.
23	1	002710002	&12,5UFX 450V CAPACITOR MAX D.45X75MM (P1360003)	On req.
24	3	167100020	MEC 80 M5 X 148 MOTOR TIE ROD	On req.
25	1	147120340	PRIMING PLUG 3/8" GAS +O-RING	On req.
26	1	147120340	PRIMING PLUG 3/8" GAS +O-RING	On req.
28	1	002220377	OR-4600 151,99X 3,53 NBR	On req.
30	1	168300150	WASHER A.316	On req.
36	1	161000290	DISC SEAL.A.304	On req.
43	1	002523059	FLAT WASHER D.8,4X17AISI316UNI6592	On req.
84	1	168560310	OPEN CABLE GLAND	On req.
98	3	161360480	DIFFUSER BODY -NORYL	On req.
127	1	161560180	MOTOR FOOT MEC 63	On req.
304	1	161060560	REAR DISC	On req.

NON INTERACTIVE



Project	Project ID	Created by	Created on 2013-06-13	Last update
---------	------------	------------	--------------------------	-------------



Pump Model - version

EUROINOX 30-50 M - N.2.- -

Attention: check the correspondence with the serial number of the pump.

Company Name
Reference
Phone
Fax
E-mail

Receiver

From

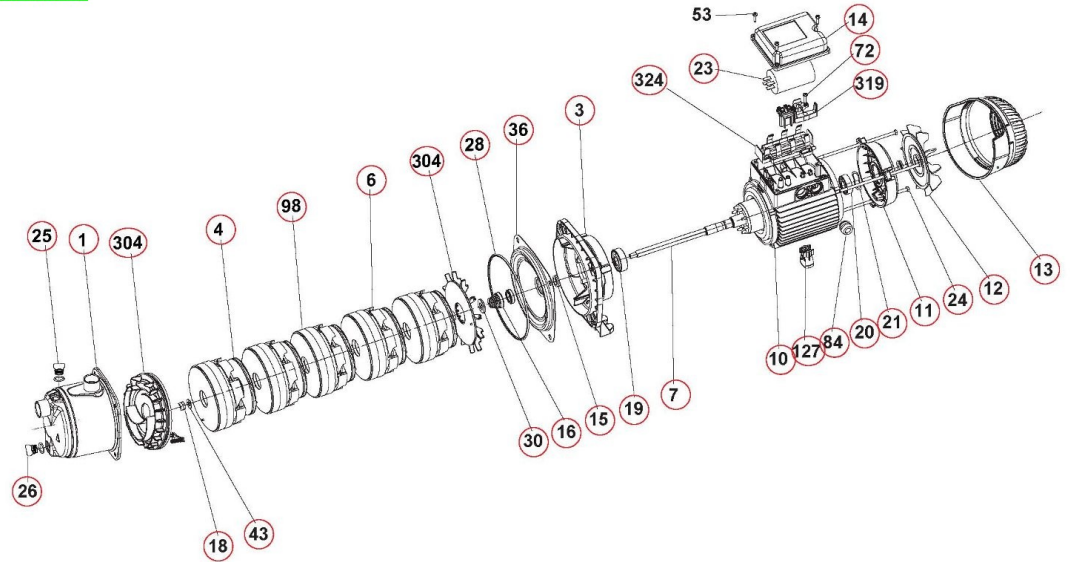
Serial Number

EUROINOX 30-50 M - N.2.- - @ 102970260_c

EUROINOX 30-50 M @ 102970260

Item	Q.ty	Item no.	Description	Unit pr.
305	1	142860070	FLANGE	On req.
319	1	146860000	PREMON.MORSET-FERMAC.	On req.
324	1	168560331	CAPACITOR CLIP	On req.

NON INTERACTIVE



Project

Project ID

Created by

Created on
2013-06-13

Last update